



Permissions For Reprints Contact: 1-800-640-8285

How To Clamp a Leaking Pipe

We call this a semipermanent repair, but in all truth, it is as close to the perfect repair on a leaky pipe as possible. This clamp, as you will discover, is a fantastic and effective device. It is so convenient to install that it is not even necessary to turn off the water supply if you have a small leak. Still, it is best that you shut down the water source before working.

Another advantage of this device is that it may be used to stop leaks on all pipes, regardless of type or size. The only difficulty (we can hardly call it that) for the layperson is in the ordering. You must first measure the outer diameter of the pipe with a ruler and then subtract 1/4" inch when ordering the clamp at the hardware store. If your pipe measures 3/4" inch, ask for a 1/2" clamp, and so on.

Utensils

Adjustable wrench

Ingredients

Pipe clamp with bolts and nuts
Rubber or leather gasket

Approximate Time: 15 Minutes

1. Place midsection of rubber or leather gasket (Fig. 93A) over leaky section of pipe.
2. Place clamp around gasket onto pipe, making sure that the midsection of the clamp is over the hole. See Figure 93B.
3. Tighten nuts onto bolts with wrench.
4. If leaks persist, tighten bolts uniformly until leaks cease.

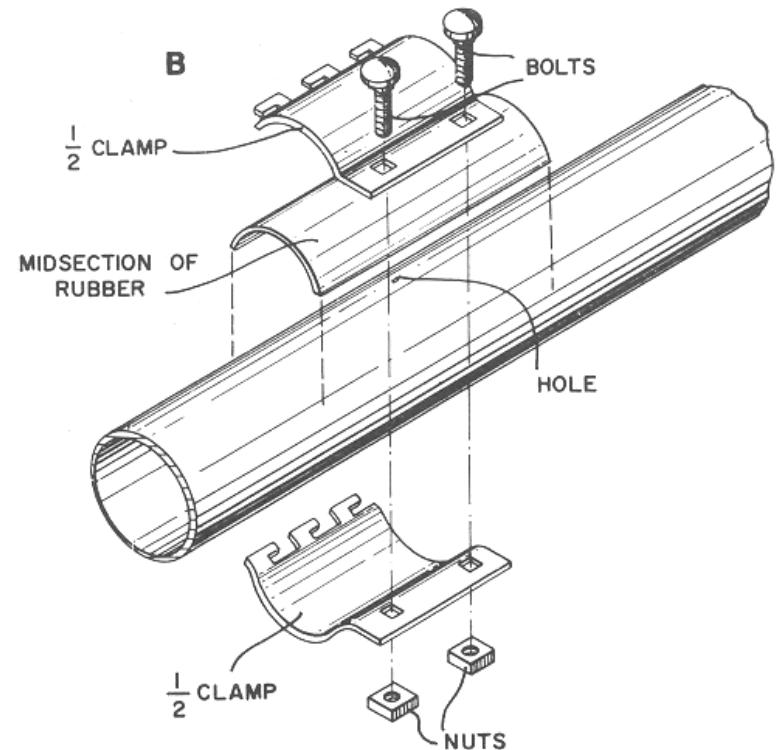
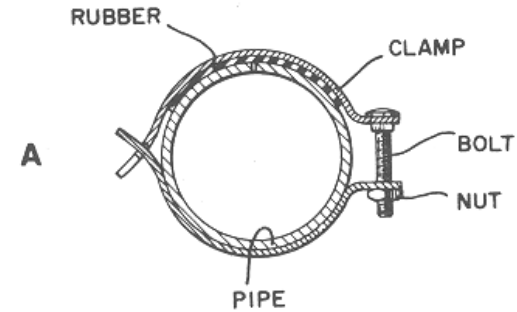


Figure 93.
Installing a Pipe Clamp on a Leaking Pipe