

Permissions For Reprints Contact: 1-800-640-8285

How To Repair Wooden Drawers

You're looking for something in your dresser drawer. You try to pull the drawer open, and only the right side moves. Or maybe it's the left side that gives an inch or two. Or maybe nothing gives. If you can get the drawer out (see Recipe 17), then we'll show you how to refit it if the joints are loose. Loose joints are the major reason for this malady.

Utensils

Pencil
Wood chisel
Hammer

Ingredients

Polyvinyl glue
24 2-penny finishing nails
Paraffin wax

Approximate Time: 60 Minutes

1. Place drawer on tabletop with front of drawer facing you (open section up).
2. Mark on the inside of drawer, where it will not be seen front, rear, left, right, as shown in Figure 18A.
3. Gently tap with hammer all glue joints in the direction in which they disassemble until all sections are apart.
4. Clean away all old glue with chisel. The cleaner the joints, the more secure the fitting when you reassemble.
5. Notice that there is a groove running along the bottom of all sections with the possible exception of the rear. Do not place glue in this groove! (Fig. 18B).
6. Apply glue to all joints except the bottom groove.
7. Reassemble the left, right, and front sections as shown in Figure 18B.
8. Starting from the rear, slip bottom section into groove (Fig. 18B).
9. Now you may replace rear section into glue joints.
10. Placing drawer on table so left side is on the table and right side is up, drive several nails through right side of drawer into front and rear sections, as shown in Figure 18C.
11. Turning drawer over so right side is on the table and left side is up, repeat nailing procedure.

12. If drawer does not have a grooved rear section, turn drawer upside down, and make sure that the bottom section slides all the way into the groove and is flush with front section. Drive several nails through bottom into rear. All nailed sections should be snug.
13. With ruler, measure diagonal distance from right front to left rear, and from left front to right rear.
14. They should be identical measurements. If not, a little gentle squeezing on the long sides will finally get the measurements within 1/16" inch.
15. Allow joints to dry as drawer sits on a flat surface.
16. Rub sides of drawer and bottom with paraffin wax and then replace in cabinet.

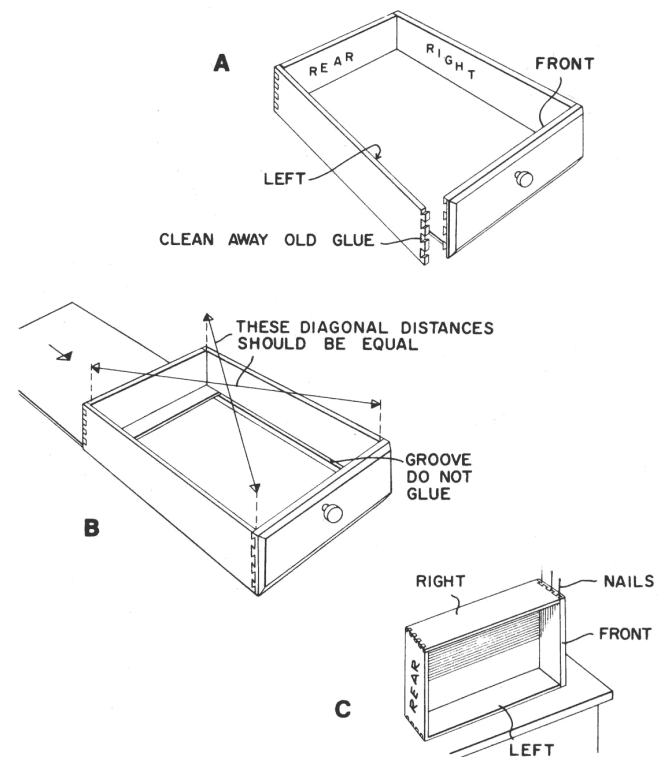


Figure 18.
Repairing Loose Joints